

EWS Pallas Duo



EWS Pallas Duo Water Softener

Water softeners are used as part of the purification process. They reduce the amount of hardness in the water resulting from the presence of calcium and magnesium, prior to reverse osmosis. The EWS Pallas Duo water softener contains resin beads, which hold sodium ions. When hard water passes through the resin beads inside an EWS water softener, the beads attract and hold the calcium and magnesium ions in exchange for sodium. After this ion exchange process, the water leaving your EWS water softener is “soft”.

The EWS Pallas Duo is a duplex device equipped with two resin tanks. This guarantees soft water all day long. As soon as one of the tanks is exhausted, regeneration starts and the flow switches automatically to the other tank which continues to deliver soft water.

Benefits of EWS Pallas Duo

- Very small dimensions so the softener can be put anywhere
- Soft water 24 hours a day
- Attractive design
- Upflow regeneration with soft water so that you save on salt and regeneration water
- Equipped with food grade quality resins
- Fully automatic, volumetric function. Only adding salt, now and then, as required

Environmental Water Systems (UK) Ltd
Charwell House, Cheddar Business Park
Wedmore Road, Cheddar, Somerset BS27 3EB
Tel: 01934 741782 Fax: 01934 741783
Email: enquiries@reverseosmosis.co.uk



Environmental Water Systems (UK) Ltd
Total Capability in Water Purification and Water Treatment



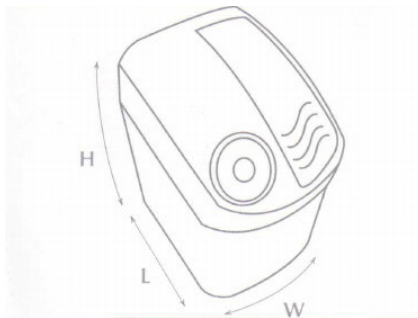
EWS Pallas Duo

continued



System specification

Dimensions and design



H - Height 52 cm

L - Length 42 cm

W - Width 31 cm

Technical specification

Resin volume	2 x 6l
Control	electronic
Inlet/Outlet	1" or 3/4"
Drain	1/2"
Nominal flow rate	1,2 m ³ /h
Peak flow rate	3,0 m ³ /h
Electrical rating	24V – 50 Hz
Working pressure	1,8 to 8,5 bar
Working temperature	1°C to 40°C
Remaining hardness regulator	yes (optional)
Upflow regeneration	yes

Environmental Water Systems (UK) Ltd
Charwell House, Cheddar Business Park
Wedmore Road, Cheddar, Somerset BS27 3EB
Tel: 01934 741782 Fax: 01934 741783
Email: enquiries@reverseosmosis.co.uk



Environmental Water Systems (UK) Ltd
Total Capability in Water Purification and Water Treatment

